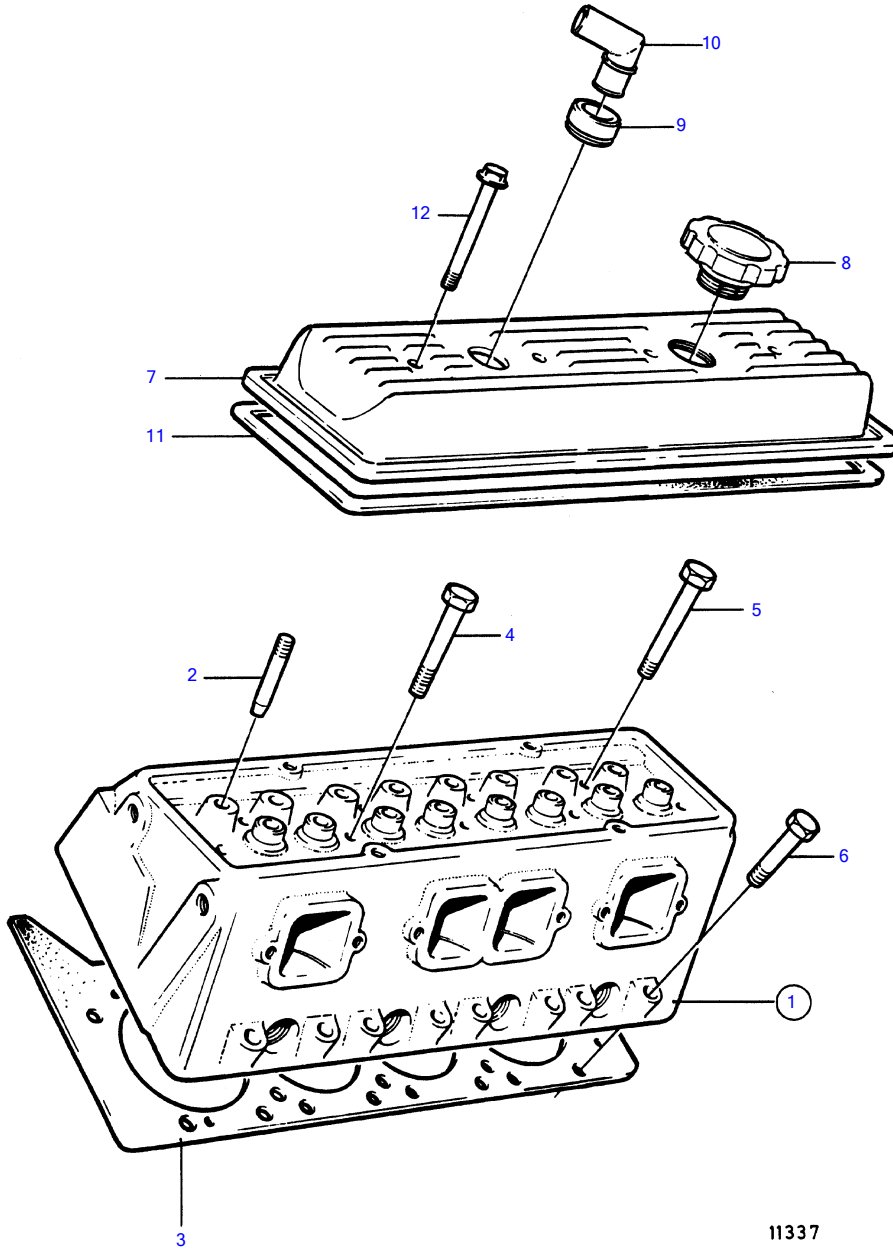


500B, 501B



500B, 501B

REF	PART NO.	QTY	DESCRIPTION	SEE SEC.	NOTES
1	(856885)	2	Cylinder head		Obsolete part
2	835108	16	• Stud	12457	
3	856474	2	Gasket		
4	835077	14	Screw		
5	835079	4	Screw		
6	835078	16	Screw		
7	856664	2	Valve cover		
8	856442	2	Oil filler cap		
9	835415	2	Rubber bushing		See group 2C
10	855902	2	Hose attachment		See group 2C
	841261	X	Sealant		See group 9
11	856072	2	Gasket		
12	856400	8	Screw		